

# The direct connection

Volume 15 Issue 10  
October 2011

## Chargin' Ahead

### The direct connection

Mountain Gateway Mopar  
Association  
P.O. Box 2548  
Marion, NC 28752

PRESIDENT  
**RANDY HOYLE**  
828-659-2607  
charger67rh@yahoo.com

VICE-PRESIDENT  
**LAWRENCE REEL**  
828-738-3254  
mopars4reel@yahoo.com

TREASURER  
**DAWN DREIBUS**  
828-659-1428  
moepar@frontier.com

SECRETARY  
**STEPHEN HILL**  
828-429-1301

NEWSLETTER  
**JEFF DREIBUS**  
828-659-1428  
jdreibus@yahoo.com

WEBMASTER  
**CASEY LYON**  
802-233-6410  
seelions@gmail.com

*The Direct Connection* is an Official publication of  
Mountain Gateway Mopar Association.  
Please submit material for publication to the editor  
no later than the second week of each month.

## MOONDOGGY'S

*Classic Diner*

909 North Main St. Marion NC  
*On The Five Lane*  
655-1557

*A Fun Fifties Kind of Place*

Complete Menu of Great American Food  
Almost World Famous Babyback Ribs

Let's Watch Out For Each Other!!!

I read the other day about a person at a car show who left their car to look around . . . and when they returned, they found that someone had stolen a dual-snorkel air cleaner from their car. Times are getting bad . . . so Let's Watch Out For Each Other. Think about it: if you saw someone carrying an air-cleaner at a show and swap meet, would you think they stole it from one of the cars . . . or bought it from the swap meet? We never thought we would see the day when a man with a part under his arm would make you suspicious. Let's Watch Out For Each Other. When you take your Mopar to a show, ask a neighbor to watch your car . . . and offer to keep an eye on theirs also. How many times have you seen keys in the ignition switch? So please make sure that you remove your keys. It would be "GOOD" for some of you inventive people to think of some ways to secure those easily removable parts. Example: Removing the air cleaner wing nut and replacing it with a hex nut will help to deter a thief. Let's Watch Out For Each Other!!! See you at Countryside BBQ Thursday night.

*Randy Hoyle*



### INSIDE:

2 — *MO-FUN CALENDAR / MO-TRIVIA*

3 — *MEMBER NEWS & MO-JUNK / BIRTHDAYS / ADVERTISERS*

4 — *ADVERTISERS / UPCOMING MEETINGS*

# Mo-fun

A Calendar  
of Events

**BOLD TYPE** denotes an official MGMA event. Contact **Jeff** 828-659-1428

Oct. 21-23 — Dawsonville, GA Mountain Moonshine Festival Car Show, Cruise-in and Swap Meet, Dawsonville Municipal Complex on Hwy. 53. Robin, 706-216-5273.

Oct 28-30 — Charlotte, NC GoodGuys Southeastern Nationals, Charlotte Motor Speedway. Pre-'73 cars only. 925-838-9876.

Nov. 5 — Shelby, NC Hog Happenin' Car Show, Cleveland Co. Fairgrounds, 8 am—3 pm. hoghappenin.com

Nov. 5 — Antique and Classic Car Show, Mason's Hotrods, 9 am—4 pm. Allen, 864-585-4491.

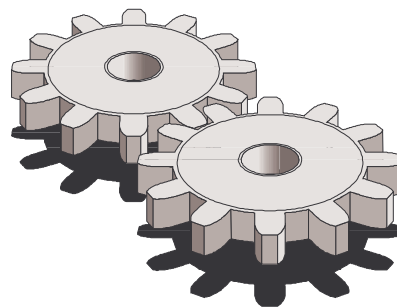
Nov. 5-6 — Ocala, FL Mopars w/Big Daddy Show. Garlits Museum. Hosts: Florida Mopar Assn. Jack, 813-7483314.

Nov. 12 — Marion, NC Cruisn' 4 a Cause Christmas Cruise. MGMAers meet at Mi Pueblito on Rutherford Road 9:15 am, leave as a group for McDowell Tech at 9:30. leave McDowell Tech 10:00 am and cruise to Clinchfield Baptist Church. Bring new, unwrapped toy or donation, \$10.00 value. Keith, [cruisn4acause@yahoo.com](mailto:cruisn4acause@yahoo.com)

## The Gear Box

The Place To Get

All Of Your Club Gear Today!!



### MGMA WINDOW DECALS

**WINDOW DECALS:** 150 + or - on hand. \$2.00 each or two for \$3.50! Jeff, 828-659-1428.

**CLUB SHIRTS:** 5 golf shirts, 1 t-shirt. Maybe in your size? Call Ray, 828-317-1619.

**CLUB HATS:** Ball caps with the MGMA logo : there may be a few left. Call Ray.

### MGMA TRIVIA

September's "A": *Vernon McKinney knew that Chrysler called its under-dash record player of the 1950's "Highway HiFi".*

Now for October's "Q": *What novel seating option was first offered in Chrysler products for 1959?*

**NOTICE:** *More submissions now needed for this trivia column — child photos of members, automotive trivia or anything I can use, any way you want to submit it! All photos will be returned.*

**AUTO ZONE**  
OF MARION, NC—  
PROUD SPONSORS OF  
MOUNTAIN GATEWAY  
MOPARS MONTHLY  
TRIVIA CONTEST!

# Vintage Ad of the Month

**BOSS HOSS**

Dodge Charger, with a big, tough, 426 Street Hemi up front makes other steeds look staid. Bob for above and go. Charger looks beautifully quick just standing still. And the optional front disc brakes are optional (for '66 Coronet, too). If you're not a pony or a kitten in the bunch, with 425 muscular horses. Consider. When you order Dodge Charger with the Street Hemi, you get heavy-duty suspension, 4-ply nylon Blue Streak tires, and big 11-inch brakes as part of the package. A balanced package engineered from the pavement up to be safe, more controllable and secure on any road. If you do the executive brake such that you want to give your Charger an even better brake front disc-brakes are optional (for '66 Coronet, too). If you're looking for the combination that's really boss any way you look at it, check out Dodge Charger. Learn what it's like to be king of the road. See your nearest Dodge dealer and slide behind the wheel of this hot new leader of the Dodge Rebellion.

**Dodge Charger**  
DODGE DIVISION CHRYSLER MOTORS CORPORATION

Dodge Charger—named "Top Performance Car of the Year" by CARS magazine.

CAR and DRIVER

## MEMBER NEWS & MO JUNK

- ☞ Lawrence Reel won our featured item at the September meeting auction: a 1/18 scale die-cast '69 Charger by Hot Wheels.
- ☞ Also at our September meeting, Leland Berry gave a very informative presentation on vintage **Holley 3-bbl racing carburetors** (single oblong secondary throttle plate), using one of his own carbs as a visual aid. Hopefully, this will inspire others to give some presentations about their own "automotive artifacts", Mopars, restoration projects — you name it.
- ☞ Jeff Dreibus recently **sold** his 1961 Chrysler, "Moby". No "seller's remorse" just yet, but we shall wait and see if a case of it might develop later on . . .

### HAPPY BIRTHDAY!

#### October

Joe Bono Ruth Stephens  
Sue Robertson Janet Hill  
Jason McKinney



#### November

Andy Lindley Eric Stephens  
Pauline Bono Heather Reid  
Mary Margaret Pooler  
Cheryl Cary

**BUCHANAN & YOUNG, INC.**

**FIVE STAR**

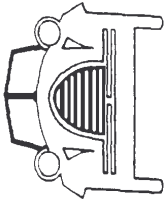
713 East Main St.  
Burnsville, NC 28714  
1-800-555-6649

THOMAS W. (Tommy) BUCHANAN, JR.  
(828) 682-2194 FAX 682-3377

**Hoyle's Son-Shine Greenhouse**  
828-659-2607

For God so Loved the world, that he gave his only begotten son, that whosoever believeth in him should not perish, but have everlasting life. John 3:16

**The Old  
Carb Doctor**  
JEFF DREIBUS, OWNER



**OBSOLETE CARBURETOR RESTORATION  
TINTING - BUSHING - CASTING REPAIR**

**1127 DRUCILLA CHURCH RD. NEBO, NC 28761  
1-828-659-1428 or 1-800-945-2272**

# Next MGMA Meeting

## THURSDAY, OCTOBER 20TH

**6:00 PM AT COUNTRYSIDE BBQ IN MARION  
CALL RANDY OR JEFF FOR DIRECTIONS**

### UPCOMING MEETING DATES:

**NOVEMBER: THURSDAY, NOV. 17 AT COUNTRYSIDE BBQ  
WATCH FOR UPDATES ON MGMA CHRISTMAS PARTY!**

**MEETING USUALLY HELD ON THE 3RD THURSDAY OF EACH MONTH,  
BUT BE SURE TO CALL OR TO CHECK THIS CALENDAR  
BECAUSE WE OCCASIONALLY "GET CREATIVE"!**

## The direct connection

PUBLISHED MONTHLY FOR THE MEMBERS OF MGMA

MOUNTAIN GATEWAY MOPAR ASSOCIATION  
PO BOX 2548  
MARION,  
NORTH CAROLINA 28752



Dedicated to the enjoyment, restoration and preservation of all Chrysler, Imperial, DeSoto, Plymouth, Dodge, AMC, Jeep, Eagle and other Chrysler Corporation vehicles.

**Club Website: <http://mountaingatewaymopars.com>**